

FAMILY OWNED AND OPERATED SINCE 1933



**Hannay Reels**  
*The reel leader.*

# Welding Reels



You  
Can't Buy  
A Better  
Reel

- Mobile and Fixed Installations
- Arc Welding
- Gas Welding
- Cutting Operations

[www.hannay.com](http://www.hannay.com)

Pride in workmanship • Reels built to order • Consistent quality • Service with integrity • Value for your dollar

# SWCR/WCR

## ARC WELDING REELS POWER OR MANUAL REWIND

To handle #2 through 4/0 cable to 400 amps.

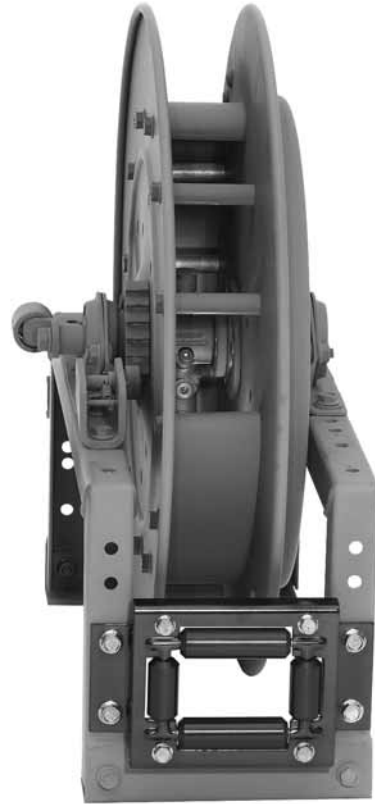
- 400 amp rated rotary electrical device.
- Instant use with any cable length unwound.
- For use with single conductor electrode cable or grounding lead.
- Quick connection to your welder.
- 4-way roller assembly. Roller position must be specified.
- Easy access and greaseable zerk fitting.

### WCR

- Gear driven crank rewind, chain & sprocket powered by an electric, hydraulic or compressed air motor or spring rewind.
- Auxiliary rewind and Pinion brake standard.
- Chain guards are available, must be specified.

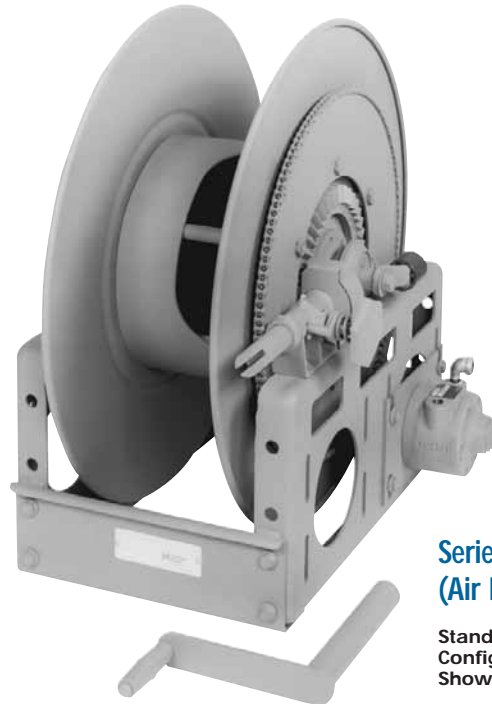
### SWCR

- Non sparking ratchet assembly.
- Declutching arbor is provided to prevent damage from reverse winding.
- A cable stop should be used.



Series SWCR

Standard Configuration Shown



Series WCR  
(Air Power AWCR)

Standard Configuration Shown



Protective Ground Lug Boot  
part no. 9955.0202  
Standard on Reel

# SWCR/WCR

## SWCR Parts Drawing – ISO 94, and WCR Parts Drawing – ISO 188

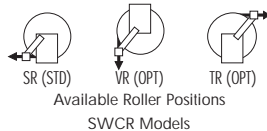
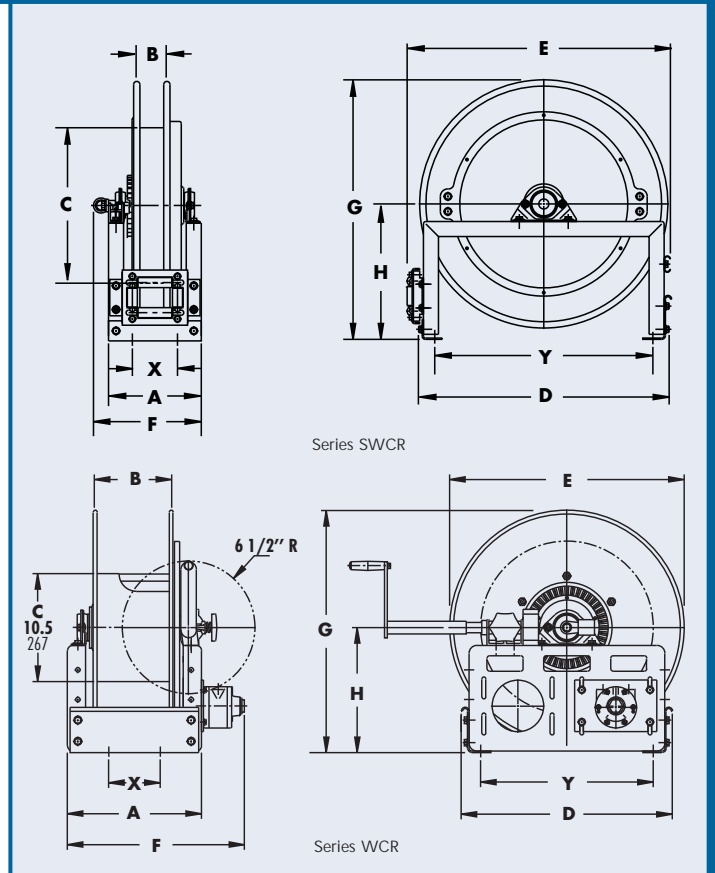
Model Number	Cable Capacity of Reel feet m.						Approx. Weight Crank/Spring Rewind <sup>3</sup> lb. kg.		Standard Roller Assy	Reel Dimensions*** inches mm.											
	Gauge of Cable						NET	SHIP		A	B	D	E	F CRANK	F PWR.	F SPRING	G	H	X	Y	
	#2	#1	1/0	2/0	3/0	4/0															
For Power Rewind See Note 4	O.D. (in)	.50	.58	.62	.67	.72	.81														
	O.D. (mm)	13	15	16	17	18	21														
SWCR716-23-24-15.5G		85	85	60	60	60	40	85	120	R204	9.25	3	23.25	24.38	-	-	11	23.88	12.5	4.5	20
		26	26	18	18	18	12	39	54		235	76	591	619	-	-	279	607	318	114	508
SWCR716-25-26-15.5B		-	-	-	-	60	50	91	126	R204	9.25	3	25	26.12	-	-	11	25.88	13.5	4.5	21.75
		-	-	-	-	18	15	41	57		235	76	635	663	-	-	279	657	343	114	552
SWCR716-25-26-15.5A		-	-	100	-	-	-	106	141	R205	10.25	3	25	26.12	-	-	12	25.88	13.5	5.5	21.75
		-	-	30	-	-	-	48	64		260	76	635	663	-	-	305	657	343	140	552
WCR16-19-21		-	275	200	200	150	150	71	106	-	13	7.5	20.5	21.88	15	19.75	-	21.5	12.12	7.75	16.75
		-	84	61	61	46	46	32	48		330	191	521	556	381	502	-	546	308	197	425
WCR16-23-24		-	-	-	-	300	200	78	113	-	13	7.5	20.5	23	15	19.75	-	23.5	12.12	7.75	16.75
		-	-	-	-	91	61	35	51		330	191	521	584	381	502	-	597	308	197	425

**Notes:**

- Specifications subject to change.
- Upon request, reels can be supplied with drum lengths other than shown and with disc sizes in other diameters.
- Weights shown in chart are for crank or spring rewind models. ADD these amounts for power rewind models: (Series WCR)
 

	<b>Net (lbs.)/kg</b>	<b>Ship (lbs.)/kg</b>
Electric	40/15.1	40/15.1
Hydraulic	20/9.1	20/9.1
Air	20/9.1	20/9.1
- When ordering power rewind Series WCR, prefix model number with:  
 A = Air Rewind    EP = Electric Rewind    HD = Hydraulic Rewind  
 (Air rewind reels are supplied with control valve and 18" air hose; 12v and 24v DC rewind reels are supplied with switch and solenoid; 115v AC rewind reels require double pole single throw switch which is not supplied, but can be ordered separately, hydraulic rewind reels are not supplied with control valve.)
- Be sure to check dimensions and weights prior to ordering.**
- For welding hose and cable specifications see page 9.

\*\*\*x,y indicate mounting holes.



# TWCR

## DUAL ARC WELDING REEL MANUAL REWIND

To handle #1 through 4/0 cable to 400 amps.

- Designed to handle grounding and arc welding leads on the same reel unit.
- Two independent spools to hold separate lengths of welding cable.
- 400 amp rotary electrical device for instant and constant use.
- Long-wearing Delrin bearings provide electrical insulation and lube-free ease of operation.
- Gear driven crank rewind with a removable handle.
- Pinion brake is standard.



Standard Configuration Shown



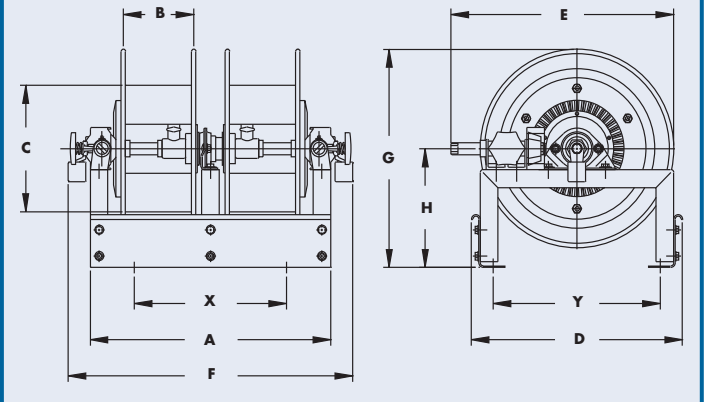
Protective Ground Lug Boot  
part no. 9955.0202  
Standard on Reel

### Parts Drawing – ISO 185

Model Number	Cable Capacity of Reel <u>feet</u> m.					Approx. Weight Crank Rewind <u>lb.</u> kg.		Reel Dimensions*** <u>inches</u> mm.										
	Gauge of Cable					NET	SHIP	A	B	C	D	E	F	G	H	X	Y	
	#1	1/0	2/0	3/0	4/0													
	O.D. (in)	.58	.62	.67	.72	.81												
	O.D. (mm)	15	16	17	18	21												
TWCR12-17-18		–	50	50	45	40	78	113	16.5	4	10.5	18	20.75	21	18.12	9.88	9	14.25
		–	15	15	14	12	35	51	419	102	267	457	527	533	460	251	229	362
TWCR14-17-18		125	100	100	80	50	80	115	20.5	6	10.5	18	20.75	25	18.12	9.88	13	14.25
		38	30	30	24	15	36	52	521	152	267	457	527	635	460	251	330	362
TWCR12-19-20		150	100	100	60	60	82	117	16.5	4	10.5	18.5	21	21	19.75	10.38	9	14.75
		46	30	30	18	18	37	53	419	102	267	470	533	533	502	264	229	375
TWCR14-19-20		–	150	150	100	80	84	119	20.5	6	10.5	18.5	21	25	19.75	10.38	13	14.75
		–	46	46	30	24	38	54	521	152	267	470	533	635	502	264	330	375

**Notes:**

1. Specifications subject to change.
  2. Be sure to check dimensions and weights prior to ordering.
  3. For welding hose and cable specifications see page 9.
  4. Ship via freight only. UPS or FedEx shipping is not available on this series reel.
- \*\*\*x,y indicate mounting holes.



# WCR11-17-19



Standard Configuration Shown

## PORTABLE REEL MANUAL REWIND

To handle #2 through 4/0 cable to 400 amps.

- Rugged portable reel with carrying handle.
- Long-wearing Delrin bearings.
- For use with single-conductor electrode cable or for grounding lead.
- 400 amp rotary electrical device.
- Manual rewind by a knob permanently attached.
- Adjustable friction brake standard.



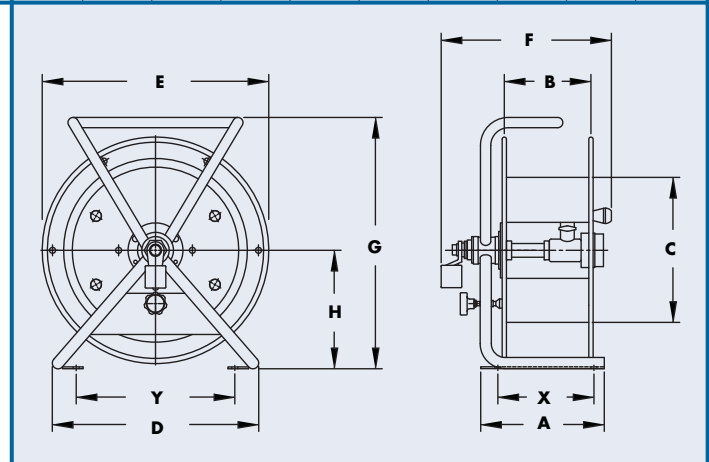
Protective Ground Lug Boot  
part no. 9955.0202  
Standard on Reel

### Parts Drawing – ISO 110

Model Number	Cable Capacity of Reel						Approx. Weight		Reel Dimensions										
	feet m.						lb. kg.	NET	SHIP	inches mm.									
	Gauge of Cable									A	B	C	D	E	F	G	H	X	Y
	#2	#1	1/0	2/0	3/0	4/0													
O.D. (in)	.50	.58	.62	.67	.72	.81													
O.D. (mm)	13	15	16	17	18	21													
WCR11-17-19	200	150	100	75	75	50	24	58*	9.25	6	10.5	15.5	16.5	13	18.81	8.69	7	11.5	
	61	46	30	23	23	15	11	26	235	152	267	394	419	330	478	221	178	292	

**Notes:**

1. Specifications subject to change.
  2. Be sure to check dimensions and weights prior to ordering.
  3. For welding hose and cable specifications see page 9.
- \* Dimensional weight applies when shipped as a parcel package (via FedEx or UPS ground).

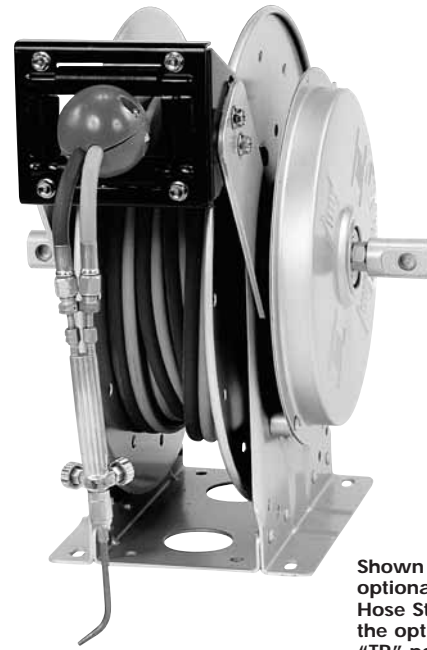


# N400

## GAS WELDING REELS SPRING REWIND

To handle twin 1/4" through 3/8" welding hose.

- Heavy-duty spring motor.
- Non sparking ratchet assembly.
- Declutching arbor to prevent damage from reverse winding.
- Standard inlets 90° ball bearing swivel joints 1/2" female NPT threads.
- Standard outlets male 9/16"-18 threads right hand for oxygen, left hand for gas.
- Pressures to 300 psi (21 bar).
- Temperatures from -40° F to +200° F (-40° C to +93° C).
- Type of gas used **MUST** be specified.
- 4-way roller assembly. Roller position must be specified.
- Hose stop is required.



Shown with optional Hose and Hose Stop in the optional "TR" position.

### Parts Drawing – ISO 186

Model Number	Hose Capacity of Reel			Approx. Weight		Standard Roller Assy	Reel Dimensions***							
	feet m.			lb. kg.			inches mm.							
	I.D. (in) I.D. (mm)	1/4" 6	3/8" 9	NET	SHIP		A	B	C	E	F	G	H	X
N416-17-18-8L	2/50	-	-	64	71*	N204	10	4	8	19.5	15.12	17.5	9.13	8
	2/15	-	-	29	32		254	102	203	495	368	445	232	203
N416-19-20-8L	-	2/50	-	68	75*	N204	10	4	8	20.75	15.12	20	10.62	8
	-	2/15	-	31	34		254	102	203	527	368	508	270	203
N416-19-20-10.5C	2/25	2/25	-	70	77*	N204	10	4	10.5	20.75	15.12	20	10.62	8
	2/8	2/8	-	32	35		254	102	267	527	368	508	270	203
N416-19-20-8J	2/50	2/50	-	74	83*	N204	10	4	8	20.75	15.12	20	10.62	8
	2/15	2/15	-	34	38		254	102	203	527	368	508	270	203
N416-23-24-10.5G	2/75	2/75	-	94	112*	N204	10	4	10.5	23.75	15.12	24	12.62	8
	2/23	2/23	-	43	51		254	102	267	603	368	610	320	203
N417-23-24-10.5G	2/100	2/100	-	95	115*	N205	11	5	10.5	23.75	16.12	24	12.62	9
	2/30	2/30	-	43	52		279	127	267	603	394	610	320	229

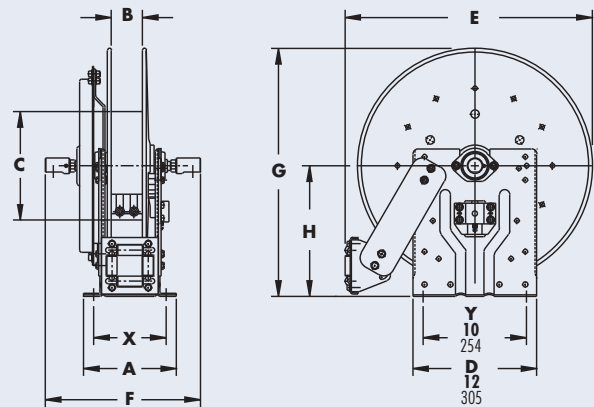
**Notes:**

1. Specifications subject to change.
2. Reel models and capacities shown are for standard drag applications; for vertical lift applications consult factory.
3. Other sizes, from standard components, available on request.
4. **Be sure to check dimensions and weights prior to ordering.**
5. For welding hose and cable specifications see page 9.

**NOTICE:** A Flexible Connector must be used between the inlet pipe and the inlet swivel joint.

\* When shipped as a parcel package (via FedEx or UPS ground), joints loose. Net wt. plus carton wt.

\*\*\*x,y indicate mounting holes.

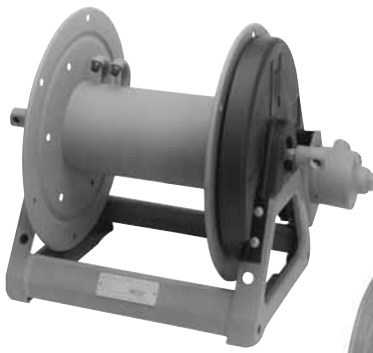


# 2400

## GAS WELDING REELS MANUAL (MX) OR POWER REWIND

To handle twin 1/4" through 3/8" welding hose.

- MX chain drive crank rewind or powered by a compressed air or hydraulic motor.
- MX rewind reels supplied with a Pinion brake.
- Power reels not supplied with a brake.
- Standard inlets 90° ball bearing swivel joints with 1/2" female NPT threads.
- Standard outlets are male 9/16"-18 threads. Right hand for oxygen, left hand for gas.
- Rollers may be purchased. Specify roller position (mounting brackets are necessary).
- Pressures to 300 psi (21 bar).
- Temperatures from -40° F to +200° F (-40° C to +93° C).
- Type of gas used **MUST** be specified.



**Series 2400**  
Standard Configuration  
Shown with MX Rewind



**Series 2400**  
Shown with  
Air Rewind

**Power 2400 Parts Drawing – ISO 187**  
**MX Parts Drawing – ISO 213**

Model Number	Hose Capacity of Reel		Approx. Weight		Reel Dimensions***						
	I.D. (in) I.D. (mm)	feet m.	lb. kg.		inches mm.						
For Power Rewind See Note 5	1/4"	3/8"	NET	SHIP	A	B	E MX	E POWER	F MX	F POWER	X
	6	9									
	.53"	.66"									
	13	17									
MX2414-17-18	2/100	2/75	31	54*	11	6	18.5	19	28.5	18.75	9.5
	2/30	2/23	14	24	279	152	470	483	724	476	241
MX2416-17-18	2/150	2/100	32	54*	13	8	18.5	19	30.5	20.75	11.5
	2/46	2/30	15	24	330	203	470	483	775	527	292
MX2420-17-18	–	2/150	34	68*	17	12	18.5	19	34.5	24.75	15.5
	–	2/46	15	31	432	305	470	483	876	629	394
MX2426-17-18	–	2/200	36	84*	23	18	18.5	19	40.5	30.75	21.5
	–	2/61	16	38	584	457	470	483	1029	781	546

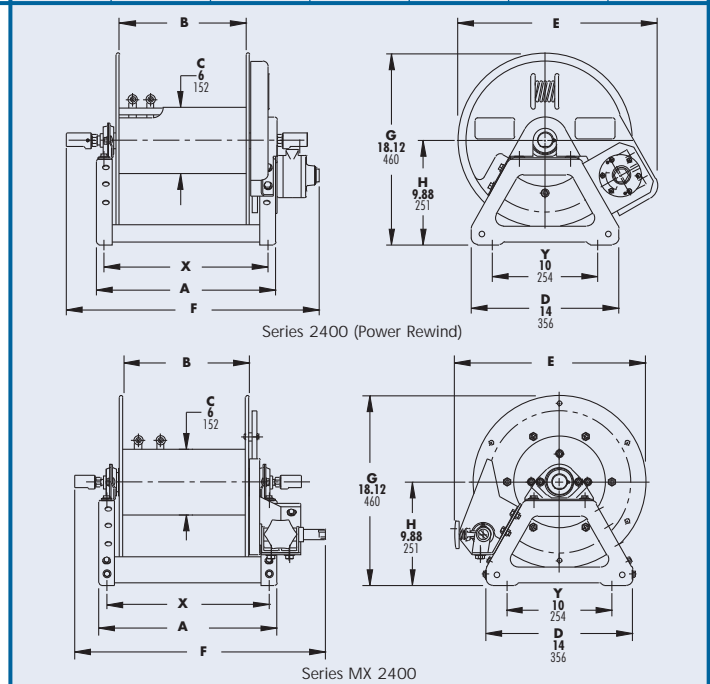
**Notes:**

1. Specifications subject to change.
2. Upon request, reels can be supplied with drum lengths other than shown and with disc sizes in other diameters.
3. Weights shown in chart are for crank rewind models. ADD these amounts for power rewind models:
 

	<b>Net (lbs.)/kg</b>	<b>Ship (lbs.)/kg</b>
Hydraulic	15/6.8	15/6.8
Air	15/6.8	15/6.8
4. Dimension "F" is the overall length of standard model reels. On crank rewind models, the dimension shown is with the crank in rewind position. Reels require 2" clearance to remove crank handle.
5. When ordering power rewind models replace MX prefix with:  
A = Air Rewind    HD = Hydraulic Rewind  
(Air rewind reels are supplied with control valve and 18" air hose; hydraulic rewind reels are not supplied with control valve.)
6. **Be sure to check dimensions and weights prior to ordering.**
7. For welding hose and cable specifications see page 9.
8. Some roller options may prohibit the use of our molded chain guard.
9. See page 8 for optional External Mounting Brackets.

**NOTICE:** A Flexible Connector must be used between the inlet pipe and the inlet swivel joint.

\* Dimensional weight may apply when shipped as a parcel package (via FedEx or UPS ground).  
\*\*\*x,y indicate mounting holes.



Series 2400 (Power Rewind)

Series MX 2400

# G2400

## GAS WELDING REELS MANUAL REWIND

To handle twin 1/4" through 3/8" I.D. hose.

- Two swivel joint inlets and two outlet risers to handle two equal lengths of hose.
- Gear-drive crank rewind.
- Pinion brake as standard.
- Standard inlets 90° ball bearing swivel joints 1/2" female NPT threads.
- Standard outlets are male 9/16"-18 threads. Right hand for oxygen, left hand for gas.
- Pressures to 300 psi (21 bar).
- Temperatures from -40° F to +200° F (-40° C to +93° C).
- Type of gas used **MUST** be specified.



Standard Gear Driven Crank Rewind Shown



Optional External Mounting Brackets part no. 9906.0025. Add 2-1/2" to the X dimensions shown in the chart.

### Parts Drawing – ISO 205

Model Number	Hose Capacity of Reel feet m.			Approx. Weight Crank Rewind lb. kg.		Reel Dimensions*** inches mm.			
	I.D. (in) I.D. (mm)	1/4" 6	3/8" 10	NET	SHIP	A	B	F	X
	O.D. (in) O.D. (mm)	.53" 14	.66" 17						
G2416-17-18-8		2/150 2/46	2/100 2/30	40 15	54* 24	13 330	8 203	21 533	11.5 292
G2420-17-18-8		-	2/150 2/46	42 18	68* 31	17 432	12 305	25 635	15.5 394
G2426-17-18-8		-	2/200 2/61	44 19	84* 38	23 584	18 457	31 787	21.5 546

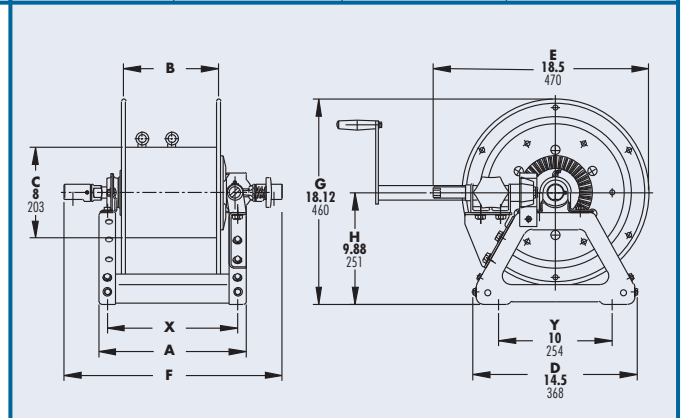
**Notes:**

1. Specifications subject to change.
2. Upon request, reels can be supplied with drum lengths other than shown.
3. **Be sure to check dimensions and weights prior to ordering.**
4. For welding hose and cable specifications see page 9.
5. Some roller options may prohibit the use of our molded chain guard.

**NOTICE:** A Flexible Connector must be used between the inlet pipe and the inlet swivel joint.

\* When shipped as a parcel package (via Fed-Ex or UPS Ground).

\*\*\* x,y indicate mounting holes.





## Welding Hose & Cable Specifications.

### Welding Hose

Our oxygen/acetylene grade R hose assemblies with inside diameters of 1/4" and 3/8" have working pressures of 200 psi (14 bar), working temperatures of -40° F to +200° F (-40° C to +93° C), and have an EPDM core and cover with one textile braid reinforcement. This hose is designed for oxygen/acetylene only. Grade T oxygen/acetylene, propane, M.A.P.P. hose is also available.

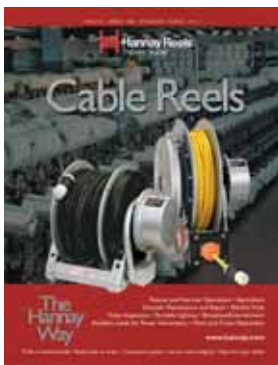
For hose assembly details and pricing, consult your Hannay dealer or factory.

### Welding and Grounding Cable

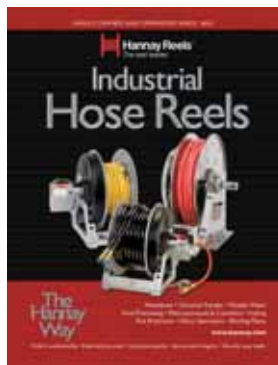
Wire Size (AWG)	Area (Per Conductor)	
	Circ. Mills	Sq. mm
#2	66,500	33.7
#1	84,000	42.6
#1/0	105,600	53.5
#2/0	133,100	67.4
#3/0	167,800	85.0
#4/0	211,600	107.2

For cable pricing consult factory.





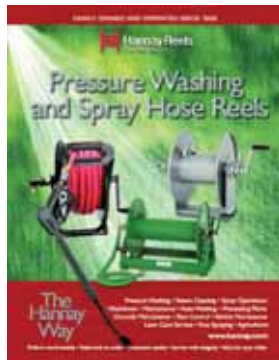
**Cable Reels**



**Hose Reels**



**Ordering & Accessory Guide**



**Pressure Wash & Spray Reels**



**Stainless Steel Reels**



Family owned and operated since 1933, Hannay Reels is the world leader in both OEM and aftermarket applications. Hannay offers thousands of standard hose reel and cable reel models, as well as unmatched custom capabilities. We can easily and affordably customize a reel to meet your exact specifications – built to last, delivered fast. Additional catalogs are available through your local Hannay Reels dealer or online at [www.hannay.com](http://www.hannay.com).



553 State Route 143 • Westerlo, New York 12193  
 Toll Free Phone: 1-877-GO-REELS • Toll Free Fax: 1-800-REELING

E-mail: [info@hannay.com](mailto:info@hannay.com)

Intl. Phone: 1-518-797-3791 • Intl. Fax: 1-518-797-3259

[www.hannay.com](http://www.hannay.com)



MADE IN U.S.A.